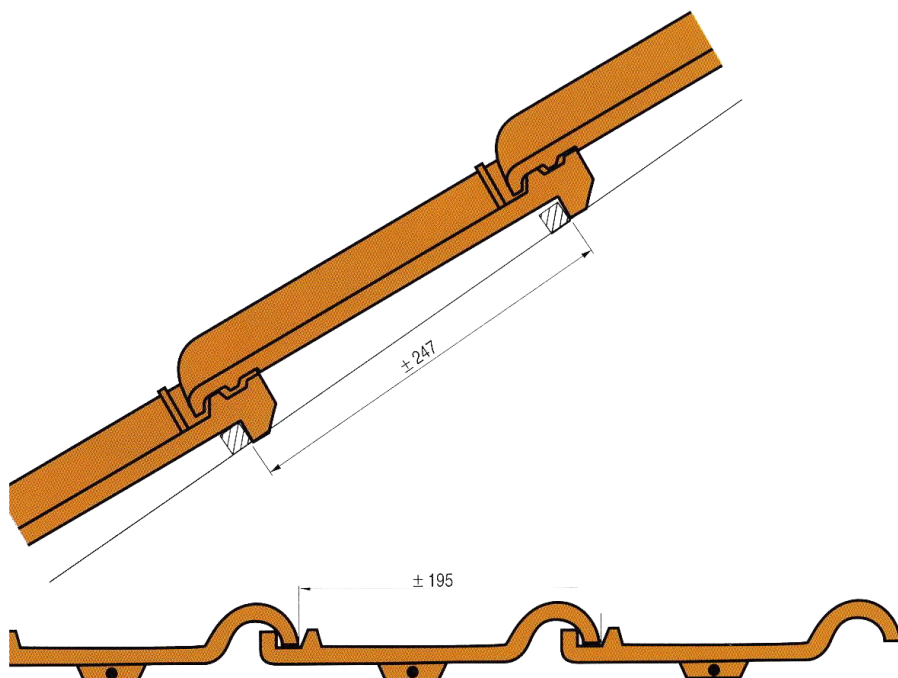


TEMPEST CLAY TILE



SPECIFICATIONS

Cover :	21.5 per m ²
Theoretical batten gauge :	± 247 mm. Laid to straight joints
Unit weight :	1.75 kg
Fixings :	2 nail holes per tile
Colour :	Natural red, heather, old hue
Product guaranteed frost-proof :	30 years - Silicone treated and conform to all European standards

SITE	PITCH TABLES		
	Zone 1	Zone 2	Zone 3
Protected	0,40	0,50	0,60
Normal	0,50	0,60	0,70
Exposed	0,70	0,80	0,90

L : length of slope.

These tables are given as a guide only

